

TXD SERIES ENGINEERING INFORMATION

The TXD-118 is a front-loaded low frequency loudspeaker enclosure designed to give bass and sub-bass reinforcement to TXD series 2-way enclosures in a wide variety of live sound applications, as well as in fixed installations ranging from cafés, pubs, bars and restaurants to retail stores and houses of worship.

It consists of a 18" reflex-loaded low frequency driver in a birch plywood enclosure, optimally tuned for extended low frequency response. The TXD-118 includes an internal low-pass crossover network which filters high frequency signals from the bass driver when used in conjunction with 2-way enclosures such as the TXD-121 or TXD-151, enabling a full range system to be powered from a single amplifier channel without the need for external electronic crossovers.

The enclosure is fitted with internal M10 threaded rigging points on the top and rear, which allow single cabinets to be suspended and angled in fixed installations using optional M10 shoulder eyebolts. A pole mount socket is fitted to the top of the cabinet to enable 2-way enclosures to be mounted on 35mm poles.

The cabinet is constructed from 15mm (5/8") birch plywood, and is finished in a durable semi-matt textured TurboBlue™ paint. Two flush handles are provided on the sides for easy lifting and carrying, and four rubber feet are fitted to the bottom of the cabinet. Two Speakon NL4MP connectors provide input and parallel connections to additional TXD series loudspeakers.



FEATURES

- High Efficiency
- Passive crossover
- Rigging points
- Pole mount socket

APPLICATIONS

- Live sound
- Mobile DJ
- Fixed installations

DIMENSIONS (HxWxD)	652mm x 540mm x 484mm (25.7" x 21.3" x 19.1")
NET WEIGHT	28kg (61.6lbs)
COMPONENTS	1 x 18" (457mm) LF driver
FREQUENCY RESPONSE¹	36Hz - 150Hz ±4dB
POWER HANDLING	300 watts r.m.s., 600 watts program Recommended amplifier power: 600 watts @ 8 ohms
SENSITIVITY²	98dB, 1 watt @ 1 metre
MAXIMUM SPL	123dB continuous ⁴ , 129dB peak ⁵
CROSSOVER	12dB/octave low-pass at 150Hz
NOMINAL IMPEDANCE	8 ohms
CONSTRUCTION	15mm (5/8") birch plywood. Finished in TurboBlue™ semi-matt textured paint (optional black). Two recessed carrying handles. Integral pole mount socket
GRILLE	Heavy duty powder coated perforated steel mesh
CONNECTORS	(2) Neutrik Speakon NL4MP, wired pin1+: positive, pin 1-: negative, pins 2+ and 2- N/C
FLYING HARDWARE	(3) M10 internal threaded rigging points
SPARES AND ACCESSORIES	LS-1811 18" (458mm) LF loudspeaker RC-1811 Recone kit for LS-1811 MG-118/X Metal grille PX-118/X Passive crossover network

Notes

¹Measured on axis

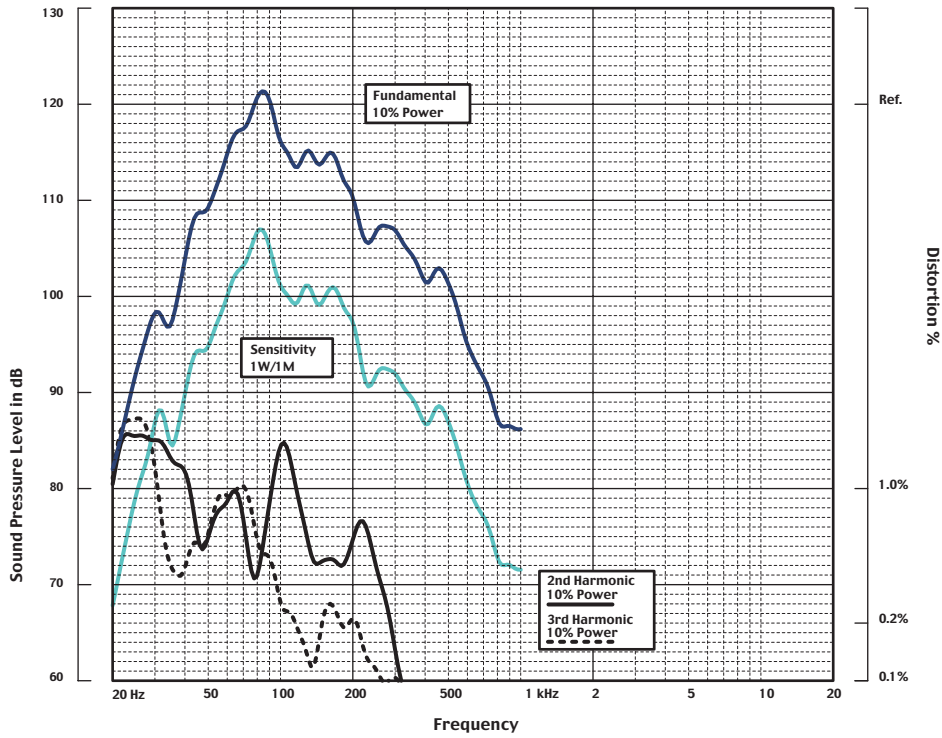
²Average over stated bandwidth

³Average over stated bandwidth

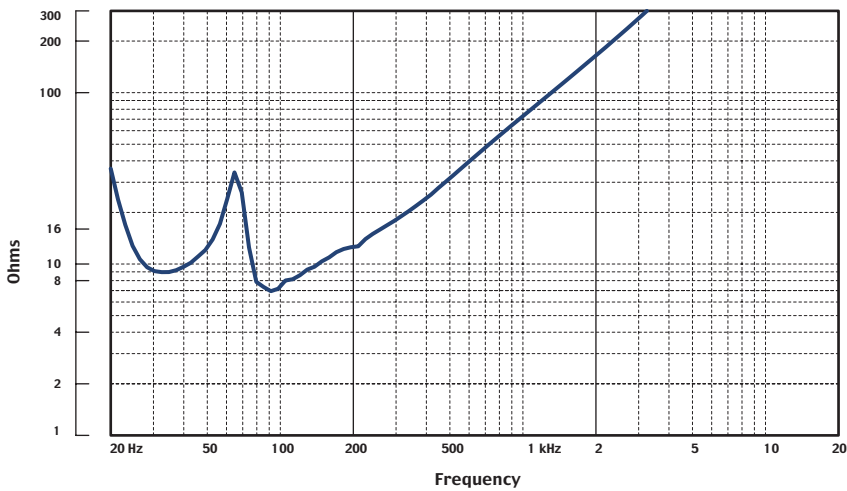
⁴Unweighted diode-clipped pink noise. Measured in a half space environment

⁵Verified by subjective listening tests of familiar program material, before the onset of perceived signal degradation

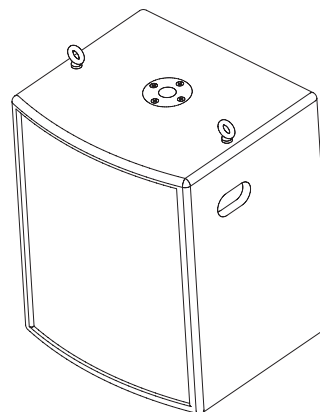
FREQUENCY RESPONSE



IMPEDANCE



The cabinet is fitted with three internal M10 threaded rigging points on the top and rear which enable single enclosures to be permanently installed using M10 shoulder eyebolts with a minimum thread length of 20mm. Downward inclination of the enclosure is achieved by adjustment of the rear rigging point.



INSTALLATION AND RIGGING HARDWARE

**ARCHITECTURAL
& ENGINEER'S
SPECIFICATIONS**

The speaker shall be of the low frequency type consisting of one 18" (457mm) low frequency driver. Performance specifications of a typical production unit shall meet or exceed the following: frequency response, measured with swept sine wave input, shall be flat within $\pm 4\text{dB}$ from 36Hz - 150Hz. Nominal impedance shall be 8 ohms. Power handling shall be 300 watts r.m.s., 600 watts program. Sensitivity, measured with 1 watt input at 1 metre distance on axis, mean averaged over stated bandwidth, shall be 98dB. Maximum SPL (peak) measured with music program at stated amplifier input shall be 129dB. Dimensions: 652mmH x 540mmW x 484mmD (25.7"H x 21.3"W x 19.1"D). Weight: 28kg (61.6lbs). The loudspeaker system shall be the Turbosound TXD-118. No other loudspeaker shall be acceptable unless submitted data from an independent test laboratory verify that the above combined performance / size specifications are equalled or exceeded.

DIMENSIONS

